



60
YEARS
*Providing Solutions
for the Pharmaceutical Industry.*

PICCOLA NOVA®

Table rotary tablet press with removable turret head



Unlike the Piccola Classica, the main characteristics of this new model include the possibility of removing and exchanging the punch-holder turret head, allowing optimizing assembly times for the change of format, and a greater power with considerable speed for tablet production.

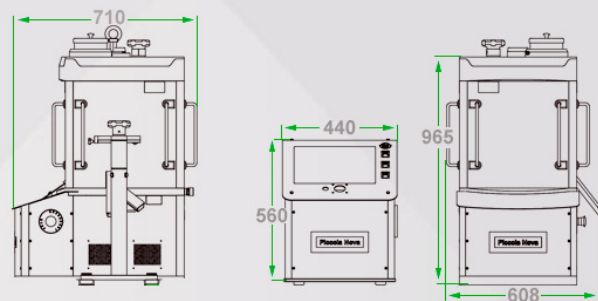
Small and solid, it is manufactured in high-resistance steels machined with precision equipment, polished and chromed.

This guarantees easy cleaning and protection against corrosive agents, what extends its useful life.

It has an external control module with a system that has been redesigned, resulting in a clear and intuitive interface controlled from a 15" colour touch screen using 21 CFR Part 11-compliant software.

It also provides equipment documentation, manuals, plans, electrical diagrams, and more. The Piccola Nova is available to run with EU or TSM standard tooling, as specified.

Technical Data	D-8	B-10	BD 4+4
Standard		TSM / EU	
Maximum tablet diameter	24mm	16mm	16-24mm
Maximum load depth		19mm	
Maximum final compression force		60kN	
Maximum 1st compression force		3kN	
Tablets per hour output	48.000 T/H	60.000 T/H	24.000 T/H
Upper punch penetration		2-8mm	
Product feed		Gravity / Forced	
Power installed		3kW	
Die bore diameter		150mm	
Net weight		510kg	



RIVA S.A. GÉNOVA 4018 - CIUDADELA, B1702CQH - BUENOS AIRES, ARGENTINA
TEL.: +54 11 4653-2000 WWW.RIVASA.COM INFO@RIVASA.COM

